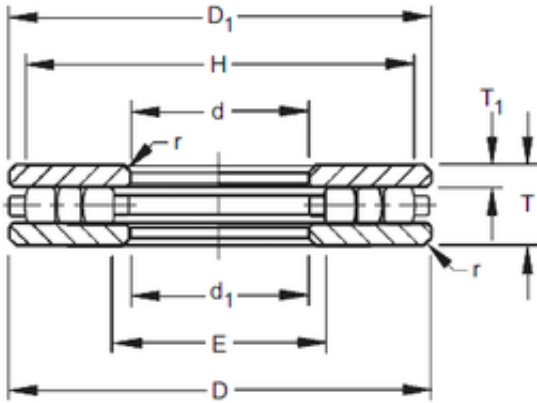




BEARING-MALAYCYA SDN.BHD.

Timken 70TP130 thrust roller bearings

Bearing No. 70TP130



Size	177.8x279.4x50.8 mm
Bore Diameter	177,8 mm
Outer Diameter	279,4 mm
Width	50,8 mm
d	177,8 mm
D	279,4 mm
T	50,8 mm
r max	3,2 mm
T1	14,29 mm
d1	180,18 mm
D1	277,02 mm
E	190,5 mm
H	266,7 mm

70TP130 Bearing 2D drawings and 3D CAD models