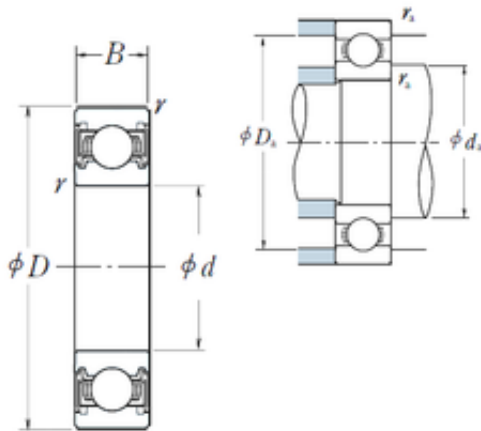




## BEARING-MALAYCYA SDN.BHD.



15 mm x 28 mm x 7 mm NSK 6902VV deep groove ball bearings

Bearing No. 6902VV

6902VV Bearing 2D drawings and 3D CAD models

Size	15x28x7 mm
Bore Diameter	15 mm
Outer Diameter	28 mm
Width	7 mm
d	15 mm
D	28 mm
B	7 mm
C	7 mm
r min.	0,3 mm
da min.	17 mm
da max	17 mm
Da max.	26 mm
ra max.	0,3 mm
Weight	0,015 Kg
Basic dynamic load rating (C)	4,35 kN
Basic static load rating (C0)	2,26 kN
(Grease) Lubrication Speed	26 000 r/min
Category	Single Row Ball Bearings
Inventory	0.0
Manufacturer Name	NSK
Minimum Buy Quantity	N/A
Weight / Kilogram	0.01
EAN	0029176026751
Product Group	B00308
Enclosure	2 Seals



## BEARING-MALAYCYA SDN.BHD.

Precision Class	ABEC 1   ISO P0
Maximum Capacity / Filling Slot	No
Rolling Element	Ball Bearing
Snap Ring	No
Internal Special Features	No
Cage Material	Steel
Enclosure Type	Non-Contact Seal
Internal Clearance	C0-Medium
Inch - Metric	Metric
Long Description	15MM Bore; 28MM Outside Diameter; 7MM Outer Race Diameter; 2 Seals; Ball Bearing; ABEC 1   ISO P0; No Filling Slot; No Snap Ring; No Internal Special Features
Category	Single Row Ball Bearing
UNSPSC	31171504
Harmonized Tariff Code	8482.10.50.68
Noun	Bearing
Keyword String	Ball
Manufacturer URL	<a href="http://www.nskamericas.com">http://www.nskamericas.com</a>
Manufacturer Item Number	6902VV
Weight / LBS	0.016
Outside Diameter	1.102 Inch   28 Millimeter
Outer Race Width	0.276 Inch   7 Millimeter
Bore	0.591 Inch   15 Millimeter
bore diameter:	15 mm
static load capacity:	2260 N
outside diameter:	28 mm
precision rating:	ABEC 1 (ISO Class Normal)
overall width:	7 mm



## BEARING-MALAYCYA SDN.BHD.

finish/coating:	Uncoated
bore type:	Round
cage material:	Steel
closure type:	Double Sealed
outer ring width:	7 mm
row type & fill slot:	Single Row Non-Fill Slot
fillet radius:	0.3 mm
internal clearance:	C0
maximum rpm:	26000 RPM
operating temperature range:	-10 to +110 ° C
series:	69
dynamic load capacity:	4350 N
SRI	2.05
hidYobi	6902VV
LangID	1
D_	28
SREX	0.015
B_	7
da min	17
hidTable	ecat_NSRDGB
SRE	2.05
mass	0.015
GRS rpm	26000
ra	0.3
SRIX	0.015
D_a	26
SRIN	-0.015
C0	2.26
fo	14.3
SREN	-0.015
DE_	25.469
Prod_Type3	DGGB_SR_VV



## BEARING-MALAYCYA SDN.BHD.

DA_	3.969
bomp	0
Z_	10
yobi	6902VV
C_conv	4350
ALPHA_	0
SDM_	21.5
r	0.3
KBRG	6151
SBRG	19
DI_	17.531