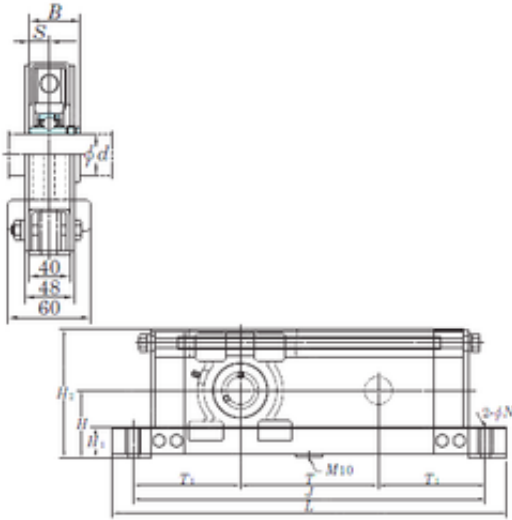




BEARING-MALAYCYA SDN.BHD.



UCTL206-200 Bearing 2D drawings and 3D CAD models

KOYO UCTL206-200 bearing units

Bearing No. UCTL206-200

Bore Diameter	30 mm
Width	38,1 mm
d	30 mm
T1	145 mm
B	38,1 mm
H	87 mm
H1	44 mm
H2	166 mm
J	490 mm
L	550 mm
N	15 mm
S	15,9 mm
T	200 mm
Bolt (G)	M12
Weight	8 Kg
Basic dynamic load rating (C)	19,5 kN
Basic static load rating (C0)	11,3 kN