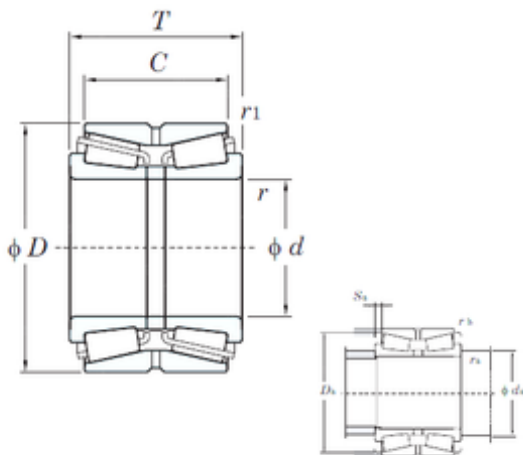




## BEARING-MALAYCYA SDN.BHD.



### KOYO 46234A tapered roller bearings

Bearing No. 46234A

|                               |               |
|-------------------------------|---------------|
| Size                          | 170x260x84 mm |
| Bore Diameter                 | 170 mm        |
| Outer Diameter                | 260 mm        |
| Width                         | 84 mm         |
| d                             | 170 mm        |
| D                             | 260 mm        |
| T                             | 84 mm         |
| C                             | 67 mm         |
| r min.                        | 3 mm          |
| r1 min.                       | 1 mm          |
| da min.                       | 184 mm        |
| Da min                        | 244 mm        |
| ra max.                       | 2,5 mm        |
| rb max.                       | 1 mm          |
| Weight                        | 14,7 Kg       |
| Basic dynamic load rating (C) | 502 kN        |
| Basic static load rating (C0) | 969 kN        |
| (Grease) Lubrication Speed    | 1000 r/min    |
| (Oil) Lubrication Speed       | 1400 r/min    |
| Calculation factor (e)        | 0,33          |
| Calculation factor (Y0)       | 1,98          |
| Bearing No.                   | 46234A        |
| r(min)                        | 3             |
| r1(min)                       | 1             |
| Cr                            | 629           |
| C0r                           | 969           |

46234A Bearing 2D drawings and 3D CAD models



## BEARING-MALAYCYA SDN.BHD.

|                  |      |
|------------------|------|
| Cu               | 62.6 |
| Grease lub.      | 1000 |
| Oil lub.         | 1400 |
| da(min)          | 184  |
| Da(min)          | 254  |
| Sa(min)          | 8.5  |
| ra(max)          | 2.5  |
| rb(max)          | 1    |
| e                | 0.33 |
| Y2               | 2.03 |
| Y3               | 3.02 |
| Y0               | 1.98 |
| (Refer.)Mass(kg) | 14.7 |