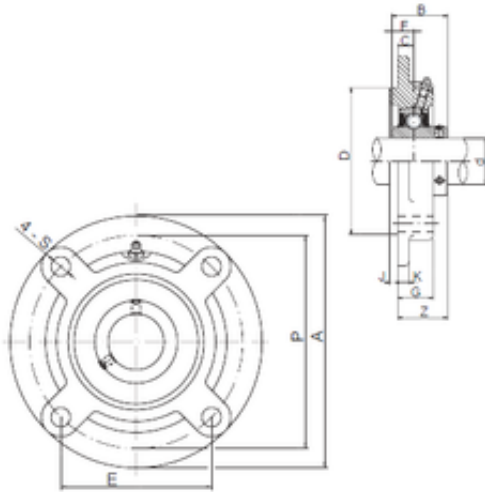




# BEARING-MALAYCYA SDN.BHD.

35 mm x 92 mm x 49,2 mm ISO UCFCX07  
bearing units

Bearing No. UCFCX07



UCFCX07 Bearing 2D drawings and 3D CAD models

Bore Diameter	35 mm
d	35 mm
P	111 mm
Z	39,2 mm
A	133 mm
B	49,2 mm
C	9 mm
D	92 mm
E	78,5 mm
F	19 mm
G	26 mm
J	11 mm
K	11 mm
S	12 mm
Bolt (G)	M10